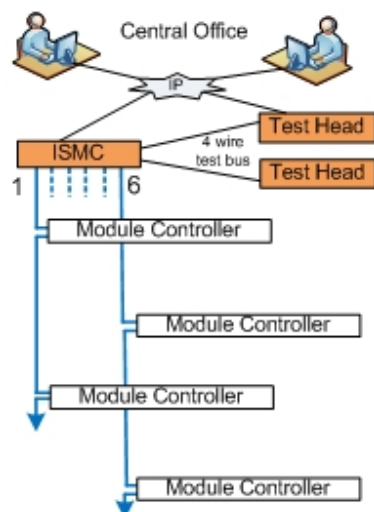


## Overview

The latest addition to the UTEL range of ISMC products. Updated to use the new series of powerful micro processors and Linux software now available to ensure the product is future proof and expandable to meet the demands of Copper and Fibre Testing.



Supplied in a chassis suitable for rack mounting in a 19" or ETSI standard frame this unit is normally installed at the top of the first rack. It is supplied with cables and all connectors ready for installation.

Powered by -48V from the local exchange Bus. Configuration software for a laptop is provided free of charge and makes installation very straight forward and easy. Remote firmware updates are also possible.

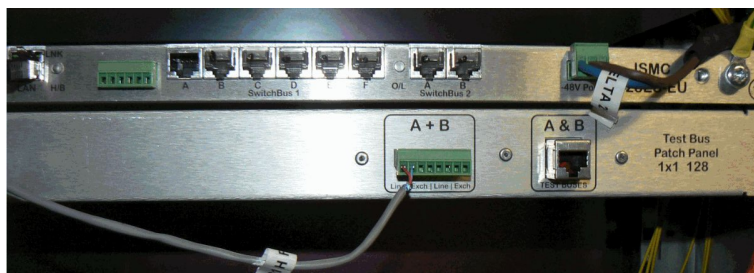
All cables are standard CAT5 and are supplied with the product. Colour coding ensures the correct wiring is installed. Wiring follows standard daisy chaining and naturally flows down the cabinet to the test access switches.

## Key Benefits

- Linux Platform
- Test Buses
- 3
- 4
- 5

## Key Features

- Latest design and components
- Futurproof Linux Platform
- Remote upgrades
- 4 x 4 wire Test Buses
- EMC, ESD, RoHS, CE compliant



## Product Data

- Width, Height, Depth, Weight
- Built on a powerful Linux platform
- Four Wire Test Bus
- MMI Port - RS232 Port used commissioning
- LAN Port - Standard 10 Base T LAN port
- Status LED's. Lan activity and error status
- Alarm Connector - Screw terminal connector for exchange alarms.
- TestBus Patch Panel - RJ45 to 8 screw terminal connector
- -48V Power