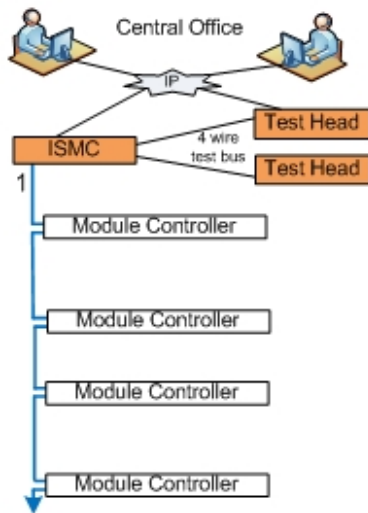


## Overview

UTEL's smallest Intelligent Switch Matrix Controller (ISMC). Ideal for medium density sites with the 1 individual switch bus capable of controlling 7000 line test circuits. A single ISMC is required per building to control all TASM equipment. The ISMC32ES has 2 separate four wire test buses, this allows it to switch 2 circuits simultaneous to two separate Test Heads. The four wires split the circuit allowing true 2 wire look in and look out.



Supplied in a chassis suitable for rack mounting in a 19" or ETSI standard frame this unit is normally installed at the top of the first rack. It is supplied with cables and all connectors ready for installation.

Powered by -48V from the local exchange Bus. Configuration software for a laptop is provided free of charge and makes installation very straight forward and easy. Remote firmware updates are also possible.

All cables are standard CAT5 and are supplied with the product. Colour coding ensures the correct wiring is installed. Wiring follows standard daisy chaining and naturally flows down the cabinet to the test access switches.



## Key Benefits

- Future Proof platform
- Remote Firmware upgrades
- RS232 for local configuration & Commissioning
- Upgradable without Customer service outage
- Testbus Patch Panel

## Key Features

- Linux platform
- Four Wire Test
- Status LED / LAN LED
- Alarm Options
- EMC, ESD, RoHS, CE compliant

## Product Data

- Width, Height, Depth, Weight
- Built on a powerful Linux platform
- Four Wire Test Bus
- MMI Port - RS232 Port used commissioning
- LAN Port - Standard 10 Base T LAN port
- Status LED's. Lan activity and error status
- Alarm Connector - Screw terminal connector for exchange alarms.
- TestBus Patch Panel - RJ45 to 8 screw terminal connector
- -48V Power

