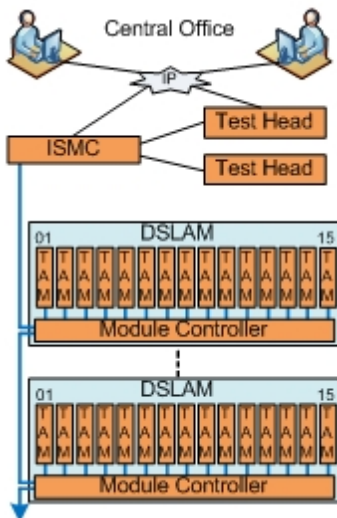


Overview

The in-line modular TAMs are designed to plug straight into the DSLAM and have male and female connectors. On new installations, the module is plugged and secured to the DSLAM and the original cable is plugged into the modular TAM.



Retrofit takes a few hours, the cable is removed from the DSLAM, the modular TAM inserted and the cable reconnected.

This is the cheapest option for in-line TAM, no additional cables, no extra cabinets, they simple fit into the existing DSLAM rack. Partial installations are also possible, adding additional modules as the customer base expands.

The installation teams will be provided with all the tools required to carry out a retrofit installation. Training can be provided and on site support is available.

Daisy chain up to 15360 lines with an ISMC 32ES-EU or 61440 with the ISMC 128ES-EU

Key Benefits

- Low cost solution at install time or as a retrofit option
- No additional cables or cable costs
- Modular design - fit to DSLAM capacity or fully equip
- Space savings - No additional racks or footprint
- No power consumption in idle mode



Key Features

- True four wire test - 2 in, 2 out
- Modular design, no additional racks or footprint
- No power consumption in idle mode
- Fault tolerant - lines switched through by default
- EMC, ESD, RoHS, CE compliant

Product Data

- 32 Switchable test circuit pairs per module
- Height: 275mm Width: 25mm Depth: 75mm Weight: 260g
- No power consumption in idle mode
- Real Time circuit access, test and diagnostics
- Four wire test bus - look in & look out test options
- Works with all leading manufactures Test Heads
- RJ45 Cat5 cables provided for easy interconnect
- Free API & XML interface for customer control system
- Fault tolerant - lines switched through in default
- Fully compliant with EMC, ESD, CE and RoHS standards

