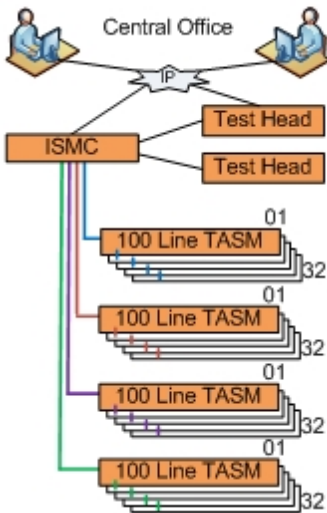
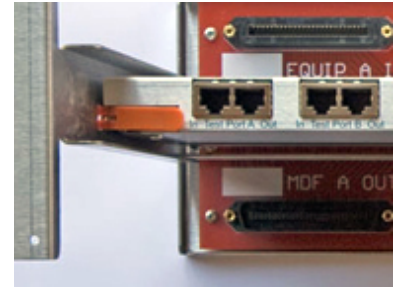


Overview

The UTEL 100ES LLU Test Access Switch Module has been specifically developed for testing "unbundled" copper lines. A rack mounted option that is easily expandable. Cable connection is via industry standard 25 pair AMP Champ connectors. Male cable connectors are used for the incoming lines and female connectors are used for the outgoing lines.



This product is ideal for CSP's using Local Loop Unbundled access. The Switch Matrix can be easily expanded by simply daisy chaining on extra switch modules in line with customer growth.

UTEL can also supply custom made racks capable of holding 14 or 16 100ES TASM's depending on the location of the ISMC and Test Head.

Additional back to back racks allow for very easy expansion, simply add more TASM units as the customer base expands.

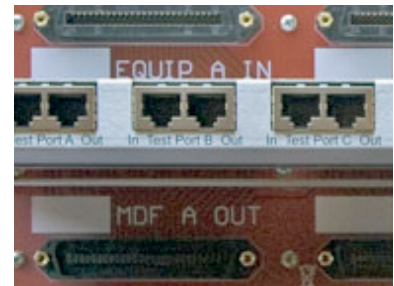
One Intelligent Switch Module Controller (same location) can be used to daisy chain up to 12,800 line circuits.

Key Benefits

- Low cost solution at install time or as a retrofit option
- Automated testing after floods, storms or weather disasters
- Defined interfaces and APIs available free of charge
- Expandable / Scalable solution for later growth
- Self contained Rack unit

Key Features

- Future proof solution - equipment agnostic
- Fault tolerant - lines switched through by default
- Real Time test access and testing
- Cable management features built in
- True four wire test - 2 in, 2 out



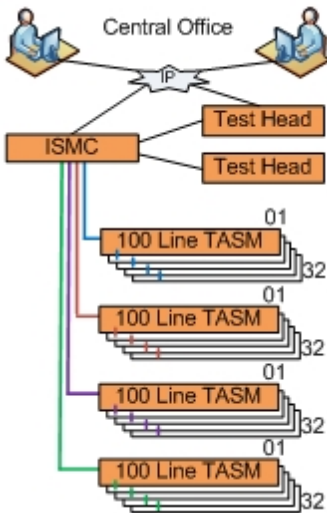
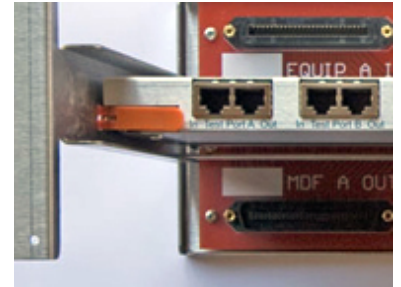
Product Data

- 100 Switchable test circuit pairs per module
- Card: Height: 300mm Width: 434mm Depth: 175mm
- Frame: Height: 90mm Width: 480mm Depth: 213mm
- Four wire test bus - look in & look out test options
- Free API & XML interface for customer control system
- Multiple switch matrix allowing several tests in parallel
- Rack mount ETSI or 19" fixing options
- Cable management built into the rack sides
- Industry standard 25 pair AMP Champ connectors
- Fully compliant with EMC, ESD, CE and RoHS standards



Overview

The UTEL 100ES LLU Test Access Switch Module has been specifically developed for testing "unbundled" copper lines. A rack mounted option that is easily expandable. Cable connection is via industry standard 25 pair AMP Champ connectors. Male cable connectors are used for the incoming lines and female connectors are used for the outgoing lines.



This product is ideal for CSP's using Local Loop Unbundled access. The Switch Matrix can be easily expanded by simply daisy chaining on extra switch modules in line with customer growth.

UTEL can also supply custom made racks capable of holding 14 or 16 100ES TASM's depending on the location of the ISMC and Test Head.

Additional back to back racks allow for very easy expansion, simply add more TASM units as the customer base expands.

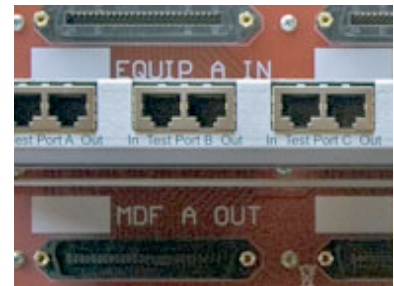
One Intelligent Switch Module Controller (same location) can be used to daisy chain up to 12,800 line circuits.

Key Benefits

- Low cost solution at install time or as a retrofit option
- Automated testing after floods, storms or weather disasters
- Defined interfaces and APIs available free of charge
- Expandable / Scalable solution for later growth
- Self contained Rack unit

Key Features

- Future proof solution - equipment agnostic
- Fault tolerant - lines switched through by default
- Real Time test access and testing
- Cable management features built in
- True four wire test - 2 in, 2 out



Product Data

- 100 Switchable test circuit pairs per module
- Card: Height: 300mm Width: 434mm Depth: 175mm
- Frame: Height: 90mm Width: 480mm Depth: 213mm
- Four wire test bus - look in & look out test options
- Free API & XML interface for customer control system
- Multiple switch matrix allowing several tests in parallel
- Rack mount ETSI or 19" fixing options
- Cable management built into the rack sides
- Industry standard 25 pair AMP Champ connectors
- Fully compliant with EMC, ESD, CE and RoHS standards

