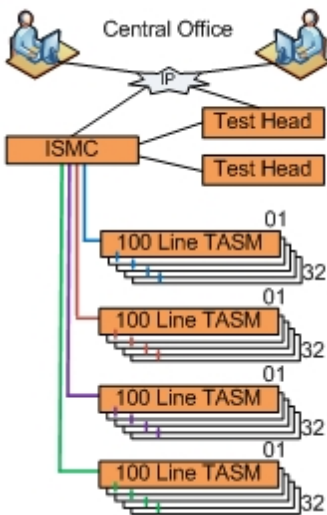


Overview

The UTEL TASM100ES MK11A Test Access Switch Module has been designed using the latest relay technology. Ideal for copper lines. Cable connection is via industry standard 25 pair AMP Champ connectors. Male cable connectors are used for the incoming lines and female connectors are used for the outgoing lines making the whole install process very simple.



The Switch Matrix can be easily expanded by simply daisy chaining on extra switch modules in line with line growth.

UTEL can also supply custom made racks capable of holding 14 or 16 100ES TASMs depending on the configuration set up and location of Test Heads.

Additional back to back racks allow for very easy expansion, simply add more TASM units as the customer base expands. Daisy chain up to 12,800 line circuits per intelligent switch module controller.

Key Benefits

- Low cost solution at install time or as a retrofit option
- Automated testing after floods, storms or weather disasters
- Defined interfaces and APIs available free of charge
- Expandable / Scalable solution for later growth
- Self contained Rack unit

Features

- Fault tolerant - lines switched through by default
- Future proof solution - equipment agnostic
- Real Time test access and testing
- Cable management features built in
- True four wire test - 2 in, 2 out

Product Data

- 100 Switchable test circuit pairs per module
- Card: Height: 300mm Width: 434mm Depth: 175mm
- Frame: Height: 90mm Width: 480mm Depth: 213mm
- Four wire test bus - look in & look out test options
- Free API & XML interface for customer control system
- Multiple switch matrix allowing several tests in parallel
- Rack mount ETSI or 19" fixing options
- Cable management built into the rack sides
- Industry standard 25 pair AMP Champ connectors
- Fully compliant with EMC, ESD, CE and RoHS standards

