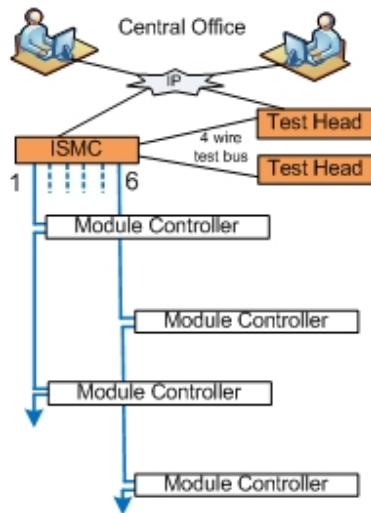


Overview

UTEL's largest Intelligent Switch Matrix Controller (ISMC). Ideal for very large density sites with the six individual switch busses capable of controlling 30000 line circuits. A single ISMC is required per building to control all TASM equipment. The ISMC128ES has 2 separate four wire testbuses, this allows it to switch 2 circuits simultaneous to two Test heads. The four wires split the circuit allowing true 2 wire look in and look out.



Supplied in a chassis suitable for rack mounting in a 19" or ETSI standard frame this unit is normally installed at the top of the first rack. It is supplied with a TestBus Patch Panel, cables and all connectors ready for installation.

The TestBus Patch Panel has an RJ45 dual TestBus socket and an associated 8 screw terminal connector to provide an easy means of connecting Testheads to the dual TestBuses.

Powered by -48V from the local exchange Bus. Configuration software for a laptop is provided free of charge and makes installation very straight forward and easy.

All cables are standard CAT5 and are supplied with the product. Colour coding ensures the correct wiring is installed. Wiring follows standard daisy chaining and naturally flows down the cabinet to the test access switches.

Key Benefits

- Powerful Linux Platform
- Remote upgrades
- Four Wire Test Bus
- Standard Cat5 connections
- Status LED's

Key Features

- RS232 for local configuration
- Futureproof platform
- 19" rack mount 1U unit
- Expandable and flexible
- EMC, ESD, RoHS, CE compliant

Product Data

- Width, Height, Depth, Weight
- Built on a powerful Linux platform
- Four Wire Test Bus
- MMI Port - RS232 Port used commissioning
- LAN Port - Standard 10 Base T LAN port
- Status LED's. Lan activity and error status
- Alarm Connector - Screw terminal connector for exchange alarms.
- TestBus Patch Panel - RJ45 to 8 screw terminal connector
- -48V Power

