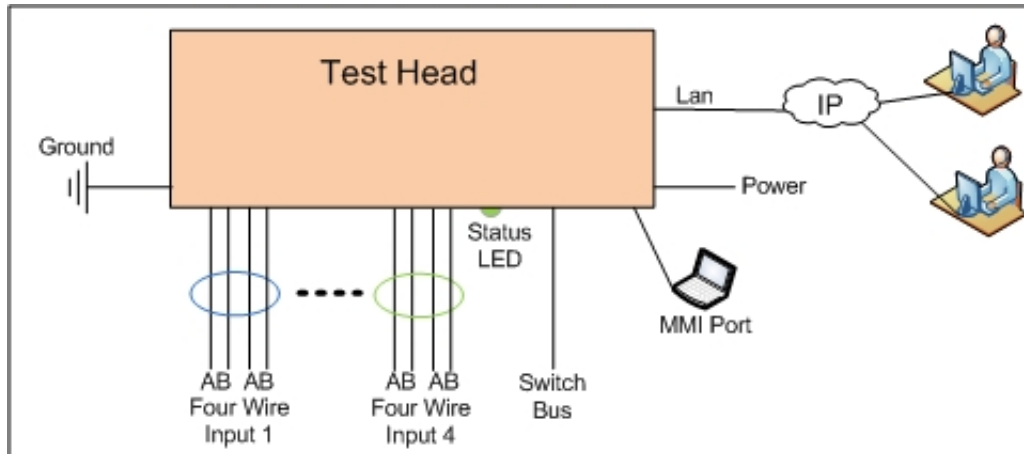


U-Test318 Series Overview



U-Test318 Product

Front Panel Connections

Case Construction: Polished Stainless Steel

Mounting: Interchangeable mounting ears secured by screws on each side of the testhead.

Size: Width: 435mm
Height: 25mm (1 ETSI height unit)
Depth: 235mm

Weight: Less than 2kg

Power Consumption :

Quiescent Conditions	= 7 watts
Copper dc testing	= 15 watts
Golden Modem Testing	= 25 watts

Dual -48V DC Power Connector

Product Data

Alarms

10 inputs
Max voltage: 70V
Isolation: 2500Vac (RMS)
2 Dry contact outputs:
Mx Voltage: 220VDC, 250VAC
Max Current: 2A
Max Power: 60VA

Indicator

1 Green LED: Idle Flashing at 1Hz
Busy: Flashing at 10Hz
Lost COM: Constant on
Hardware failure: Off

Communication Ports

RS485 port: 1

Supply voltage

DC supply: 12 volts

Power Consumption

Normal testing: 1.5W

Operating environment

Temperature range: -40°C to 85°C

Reliability

MTBF: 76.6 years (HRD5)

Connections

10-pin connector: power, Com, address
96-pin connector: alarm inputs, alarm outputs, look in test pair and look out test pair