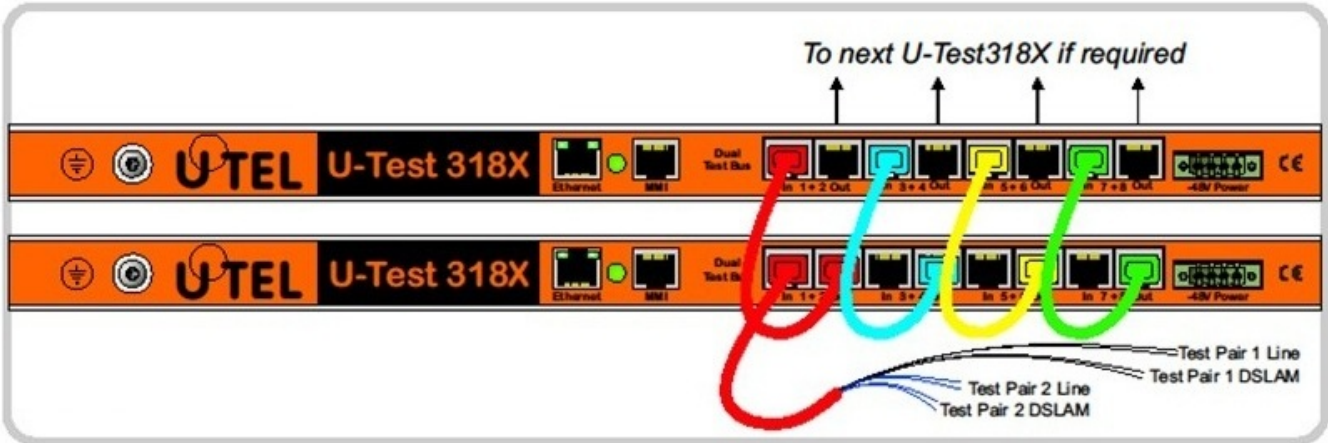


## U-Test318X Multiple Test Head Connection



## U-Test318X Product

**Front Panel Connections**

Chassis Grounding Screw

Ethernet Control Port

RS232 Man Machine Interface Port

Eight incoming 4 wire test buses presented on four RJ45 Connectors.

Eight outgoing 4 wire test buses presented on four RJ45 Connectors for connection to the next testhead.

Dual -48V DC Power Connector

**Case Construction:** Polished Stainless Steel

**Mounting:** Interchangeable mounting ears secured by screws on each side of the testhead.

**Power Consumption :**

Quiescent Conditions	= 7 watts
Copper dc testing	= 15 watts
Golden Modem Testing	= 25 watts

**Size:** Width: 435mm  
Height: 25mm (1 ETSI height unit)  
Depth: 235mm

**Weight:** Less than 2kg

## Product Data

### DC Voltage Tests

Range: -440V to + V440  
Accuracy: +/- 2%

### AC Voltage Tests

Range 0 to 300V RMS  
Accuracy: +/- 2%

### Capacitance Tests

Range: 0nF to 100nF  
Accuracy: +/- 3 nF  
Range:100nF to 10uF  
Accuracy: +/- 3%

### Resistance: Tests

Range: 0 Ohm to 100 Ohms  
Accuracy: +/- 3%  
Range:100 Ohm to 10MOhm  
Accuracy: +/- 3%

### Indicator

1 Green LED:Idle Flashing at 1Hz  
Busy: Flashing at 10Hz Lost  
COM:  
Constant on Hardware failure:  
Off

### Supply voltage

DC supply: 12 volts

### Power Consumption

Normal testing: 1.5W

### Operating environment

Temperature range:  
-40°C to 85°C

### Reliability

MTBF: 76.6 years (HRD5)